



4700 W. 160th St.
Cleveland, Ohio 44135
Ph: (800) 321-9532
Fax: (800) 321-9535
www.oatey.com

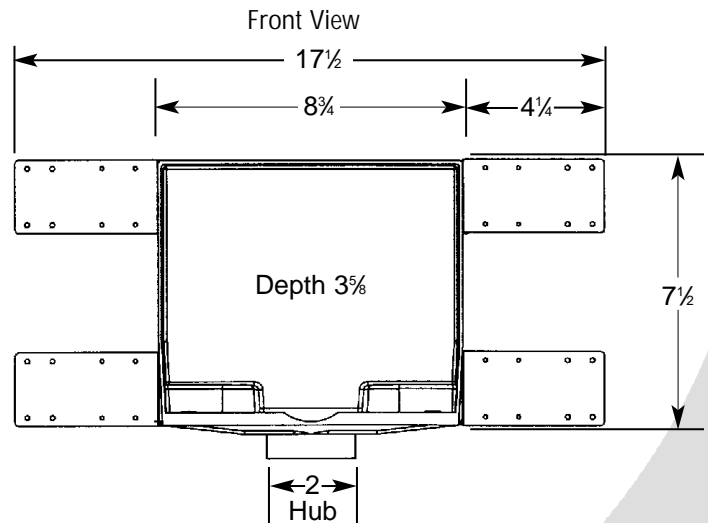
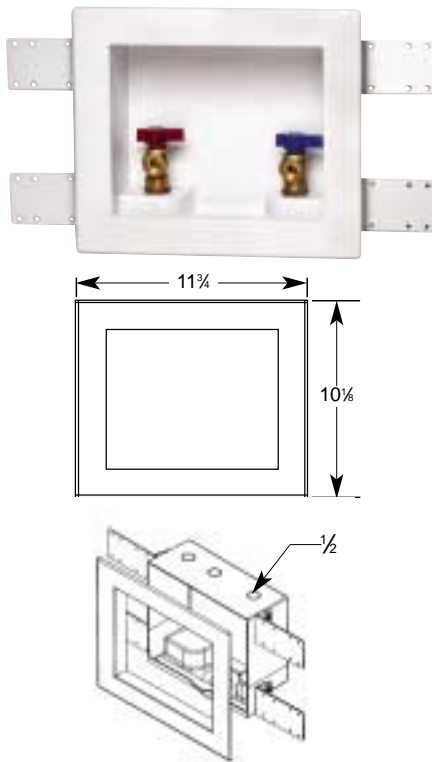
Center Drain Washing Machine Outlet Boxes



SUBMITTAL SPECIFICATION

Engineering Specification: Oatey Center Drain washing machine outlet boxes can be used in commercial or residential applications which require supply valves and waste drain recessed into the wall.

Job Reference



(All dimensions in inches)

- 2" drain opening fits PVC or ABS Sch. 40 DWV pipe
- All washing machine outlet boxes are shipped 12 per carton
- Box made of high impact polystyrene
- 4 support brackets included for mounting
- Easy to remove 1/2" top mount knockouts
- Snap-on faceplate frame accommodates up to 1" drywall

✓	Prod. No	Description
	38747	1/4 Turn Brass Hammer Ball Valves - Copper Sweat - Standard Pack
	38748	1/4 Turn Brass Hammer Ball Valves - CPVC Sweat - Standard Pack
	38751	Plain box in polybag - Standard Pack
	38753	Plain box in carton- Display Pack
	38799	Plain Box - No Valves - Standard Pack - With Grommets
	38824	Plain Box in Printed Polybag- Display Pack
	38924	1/4 Turn Brass Ball Valves - ASTM F1974 PEX - Standard Pack
	38928	Plain Box - No Valves - Standard Pack- 1.5" - 2" Drain Outlet
	38930	1/4 Turn Brass Ball Valves - CPVC - Standard Pack - Top Mount
	38933	1/4 Turn Brass Ball Valves - CPVC - Contractor Pack
	38934	1/4 Turn Brass Ball Valves - Copper Sweat - Standard Pack
	38937	1/4 Turn Brass Ball Valves - CPVC - Standard Pack
	38943	1/4 Turn Brass Ball Valves - ASTM F1960 PEX - Standard Pack
	38945	1/4 Turn Brass Ball Valves - ASTM F1807 PEX - Standard Pack
	38946	1/4 Turn Brass Ball Valves - Copper Sweat - Contractor Pack
	38747	1/4 Turn Brass Hammer Ball Valves - Copper Sweat - Standard Pack
	38748	1/4 Turn Brass Hammer Ball Valves - CPVC - Standard Pack
	38820	Plain box - With Grommets - Display Box
	38825	1/4 Turn Brass Ball Valves - Solder Kit - Display Box
	38949	1/4 Turn Brass Ball Valves - ASTM F1807 PEX - Display Bag
	38970	1/4 Turn Brass Hammer Ball Valves - Display Box
Accessories		
	38941	Plastic Faceplate for Quadtro, Center and Offset WMOB
	38768	Plastic Brackets, 4" long, for plastic boxes
	38648	Plastic Brackets, 12" long, for plastic boxes



Data is subject to manufacturing tolerances.

Valves meet ASME A112.18.1

Visit www.oatey.com for updates.